



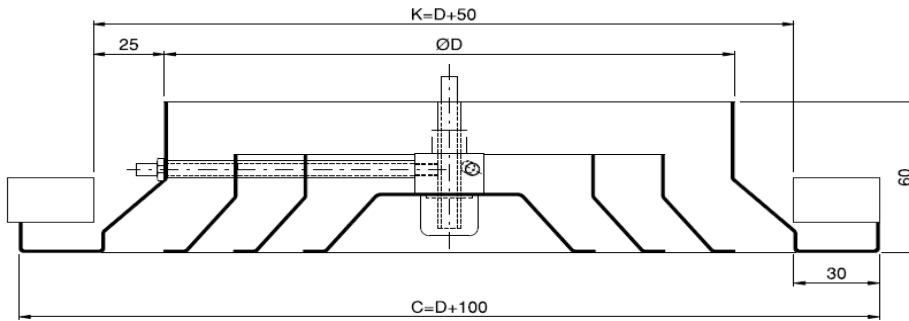
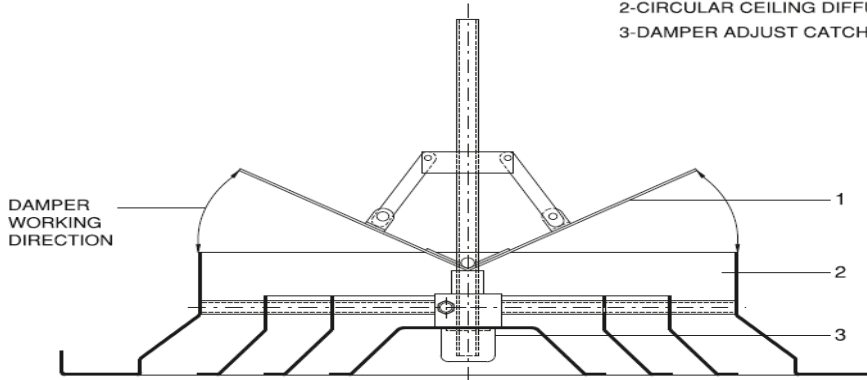
**REGISTER&GRILLES**

SUBMITAL AND DRAWING  
MODEL-YTA

PROJECT : .....  
ENGINEER : .....  
CONTRACTOR : .....  
SUBMITTED BY : .....  
DATE : .....

**CIRCULAR/ROUND CEILING DIFFUSER - YTA**

- 1-BUTTERFLY DAMPER
- 2-CIRCULAR CEILING DIFFUSER
- 3-DAMPER ADJUST CATCH



<b>D</b>	100	150	200	250	300	350	400	450	500
<b>K</b>	150	200	250	300	350	400	450	500	550
<b>C</b>	200	250	300	350	400	450	500	550	600